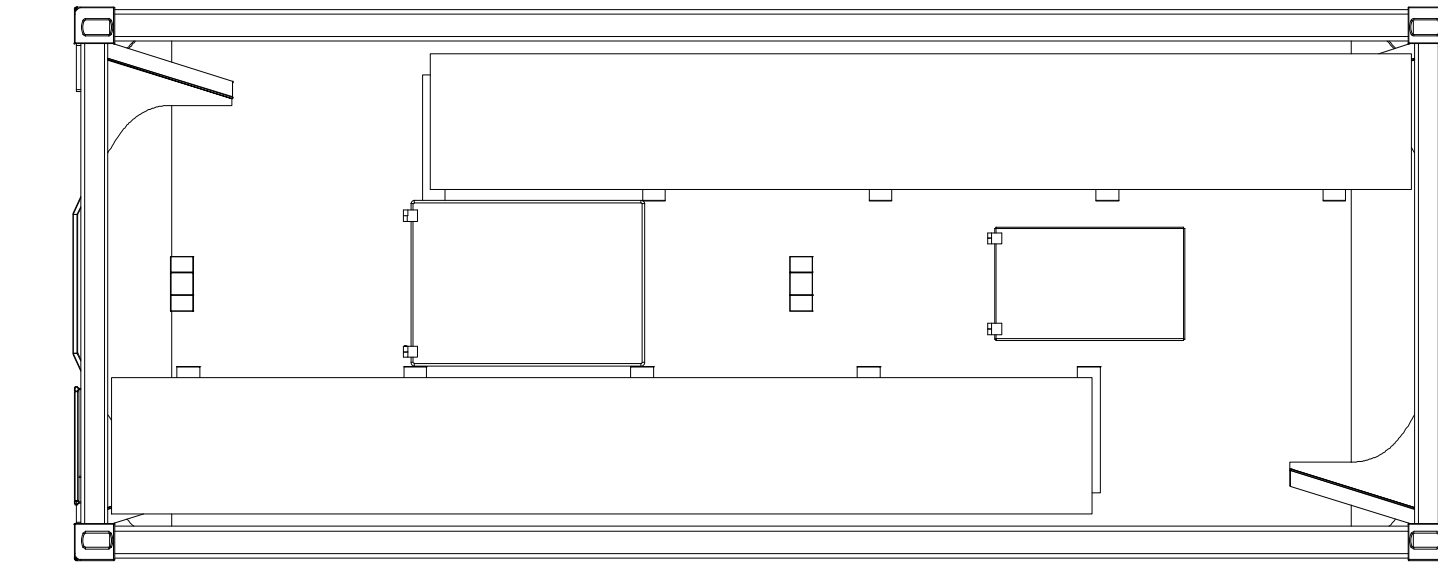
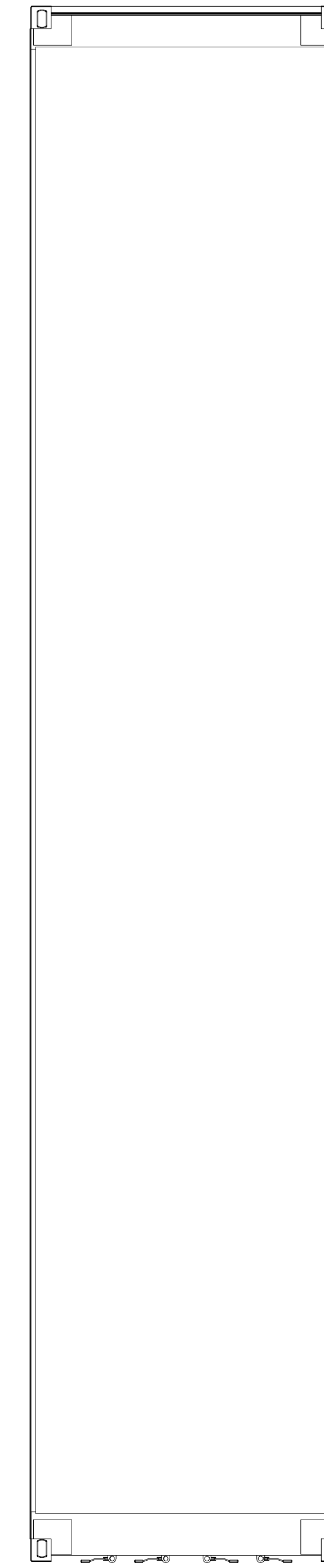
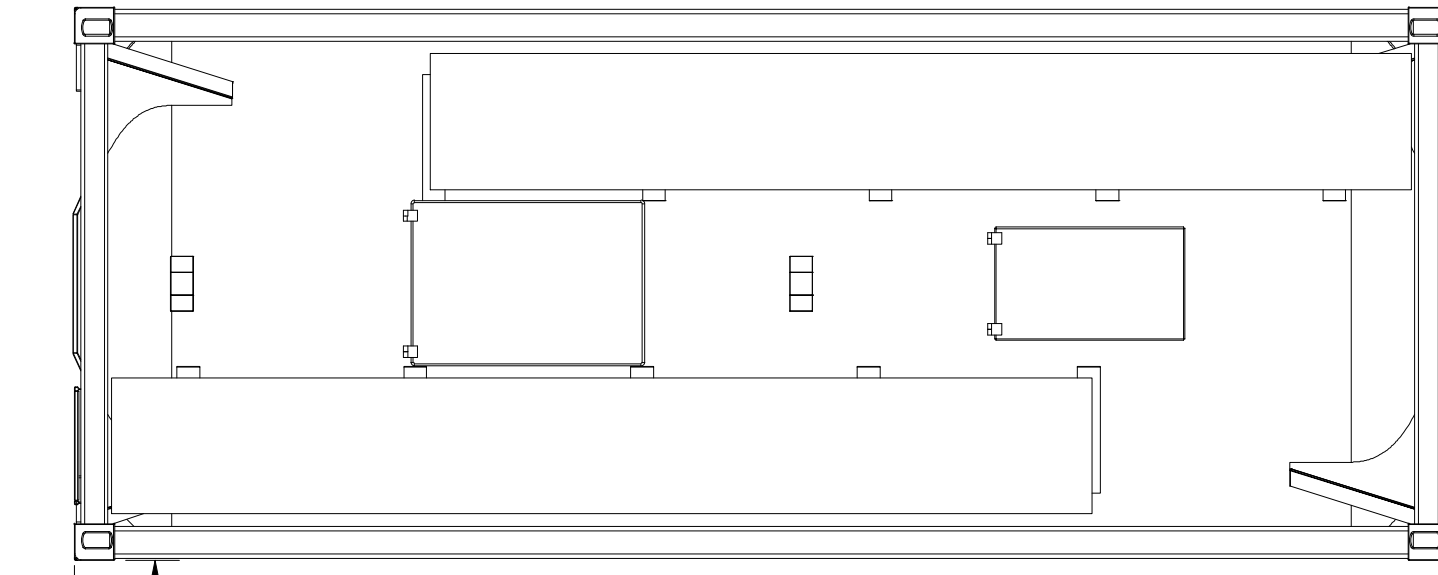


3D VIEW  
SCALE 0.03 : 1



72.00 in  
[1828.80 mm]

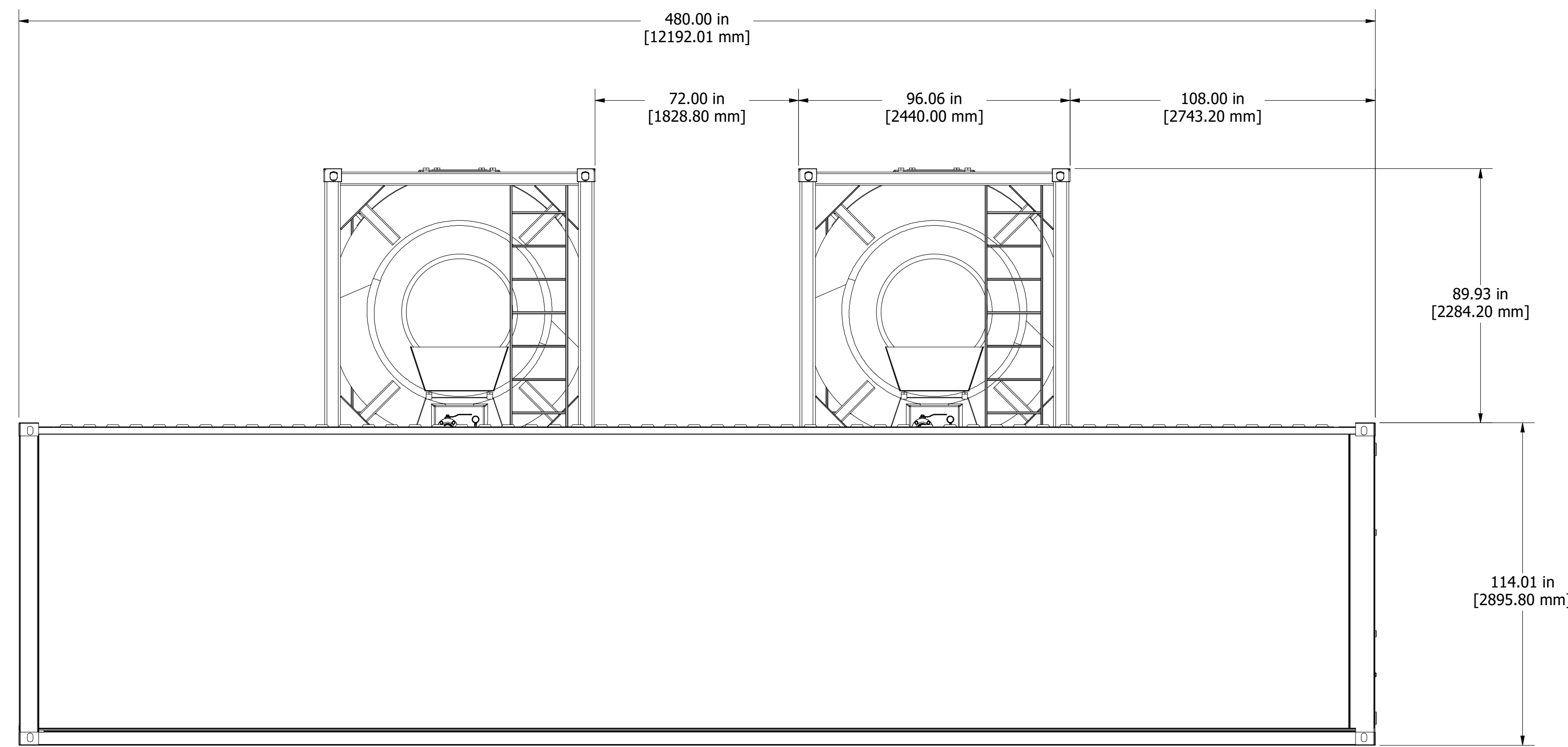


96.06 in  
[2440.00 mm]

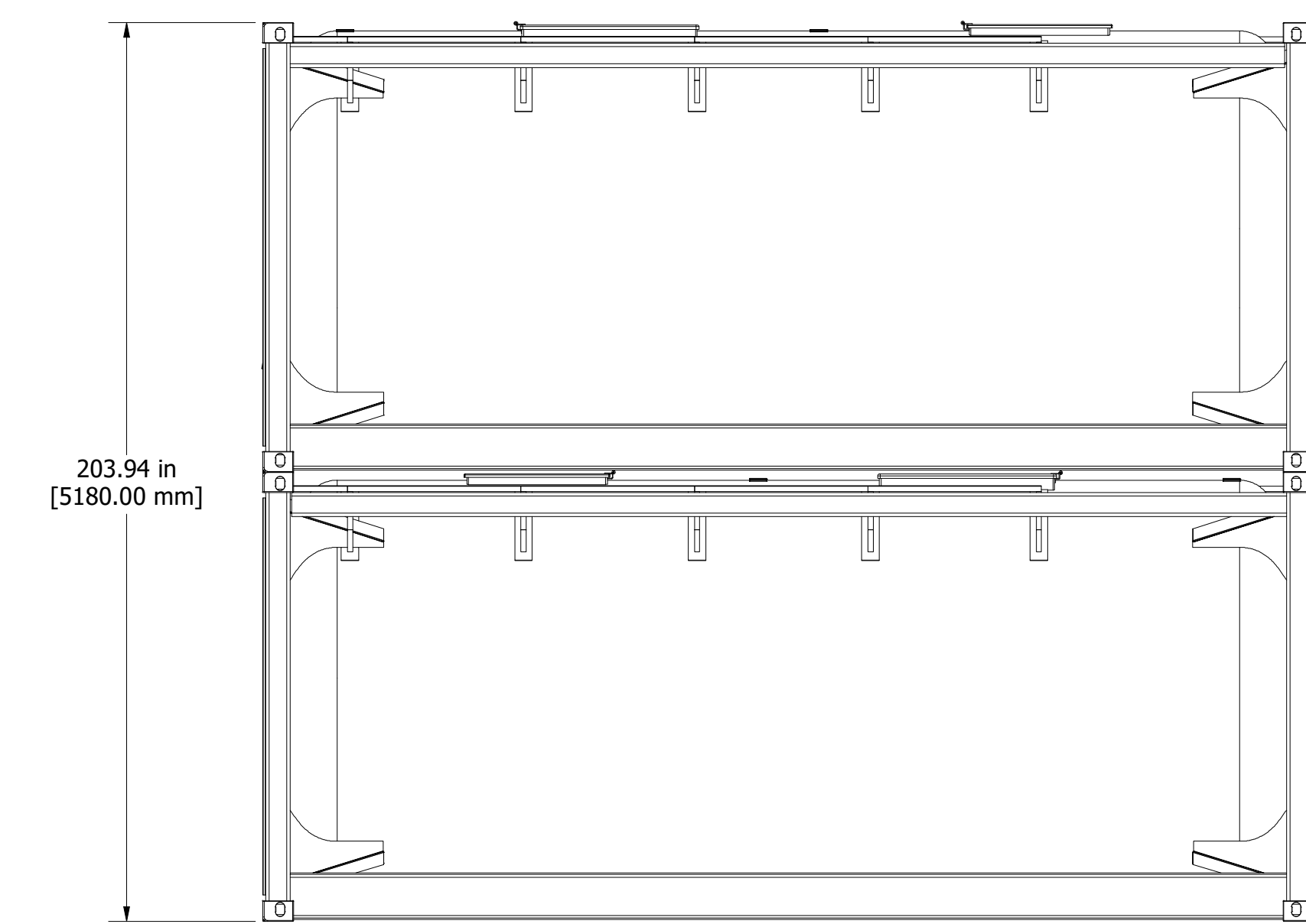
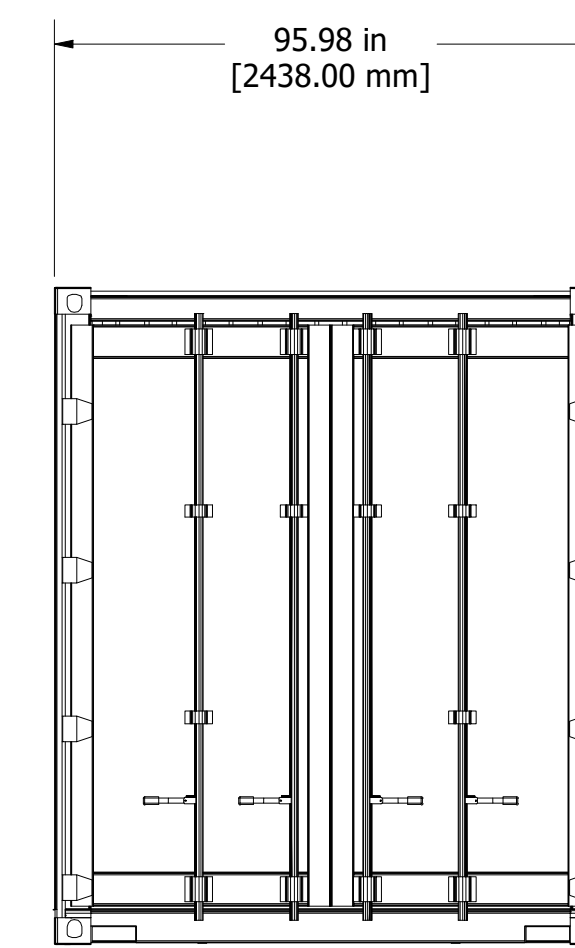
72 in  
[1828.30 mm]

108.00 in  
[2743.20 mm]

TOP VIEW  
SCALE 0.03 : 1



LEFT SIDE VIEW  
SCALE 0.03 : 1



203.94 in  
[5180.00 mm]

FRONT VIEW  
SCALE 0.03 : 1

Copyright 2022 - Infinity Turbine, LLC

UNLESS OTHERWISE NOTED:		DRAWN	12/22/2022
DIMENSIONS ARE IN INCHES	TOLERANCES	CHECKED	
DECIMALS	FRACTIONS	QA	
ANGULAR DIMENSIONS: 1/2° AND 1/4°		NFG	
THIS PLACE DECIMAL: 4.00			
THIS PLACE DECIMAL: 0.00			
INTERPRET GEOMETRIC TOLERANCES PER:	ANSI Y14.5	APPROVED	
MATERIAL:	See part drawings		
FINISH:	N/A		
DO NOT SCALE DRAWING			

<p><b>INFINITY TURBINE</b></p> <p>Salgenx S6000 Assembly</p>	
TITLE	Salgenx S6000 Assembly
DWG NO	20221219-salgenx-s6000
REV	
SCALE	1
SHEET	1 OF 1